



PRACTICAL WORKSHOP

for public and private sector

2018

EPC Contract SGS Polderdijk

Stéphane LADOS, BPS Manager, Siemens



Sustainability@SGS

WHY IS CARBON NEUTRALITY IMPORTANT TO SGS?

We see carbon neutrality as having three main benefits:

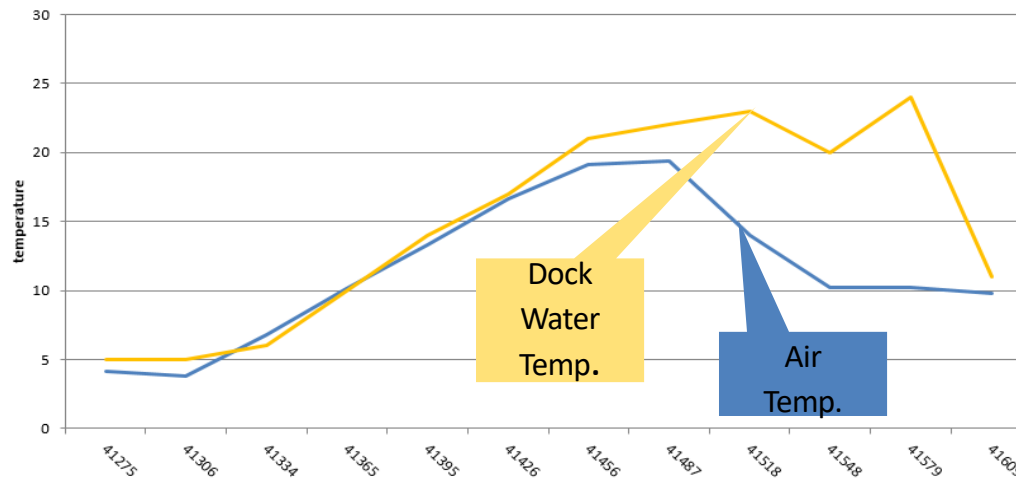
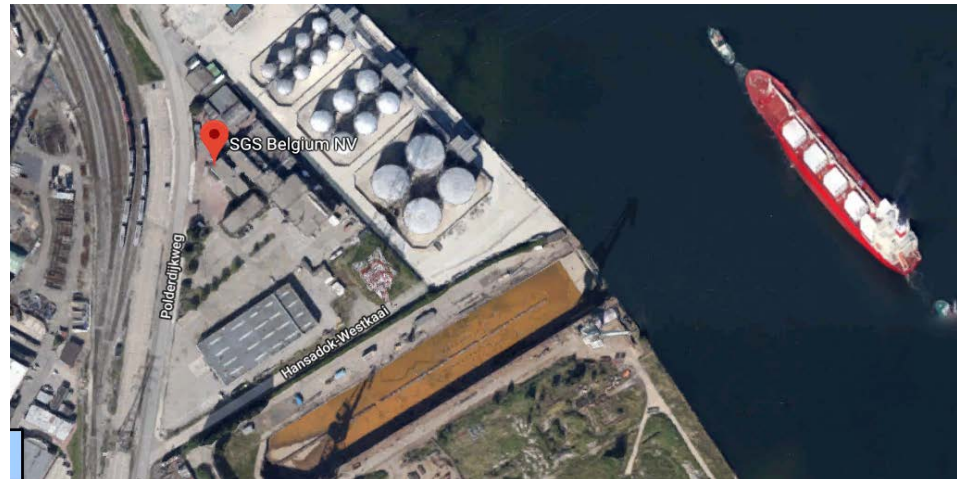
- **Taking a leading role in tackling climate change**

Energy efficiency and carbon intensity reduction projects both play a role in tackling climate change. Across SGS, we have over 73 projects and investigations underway to reduce energy use. As carbon emissions are still generated, and given that each metric ton of carbon eliminated today is more valuable than one removed in the future, we use carbon neutrality to bridge the gap.

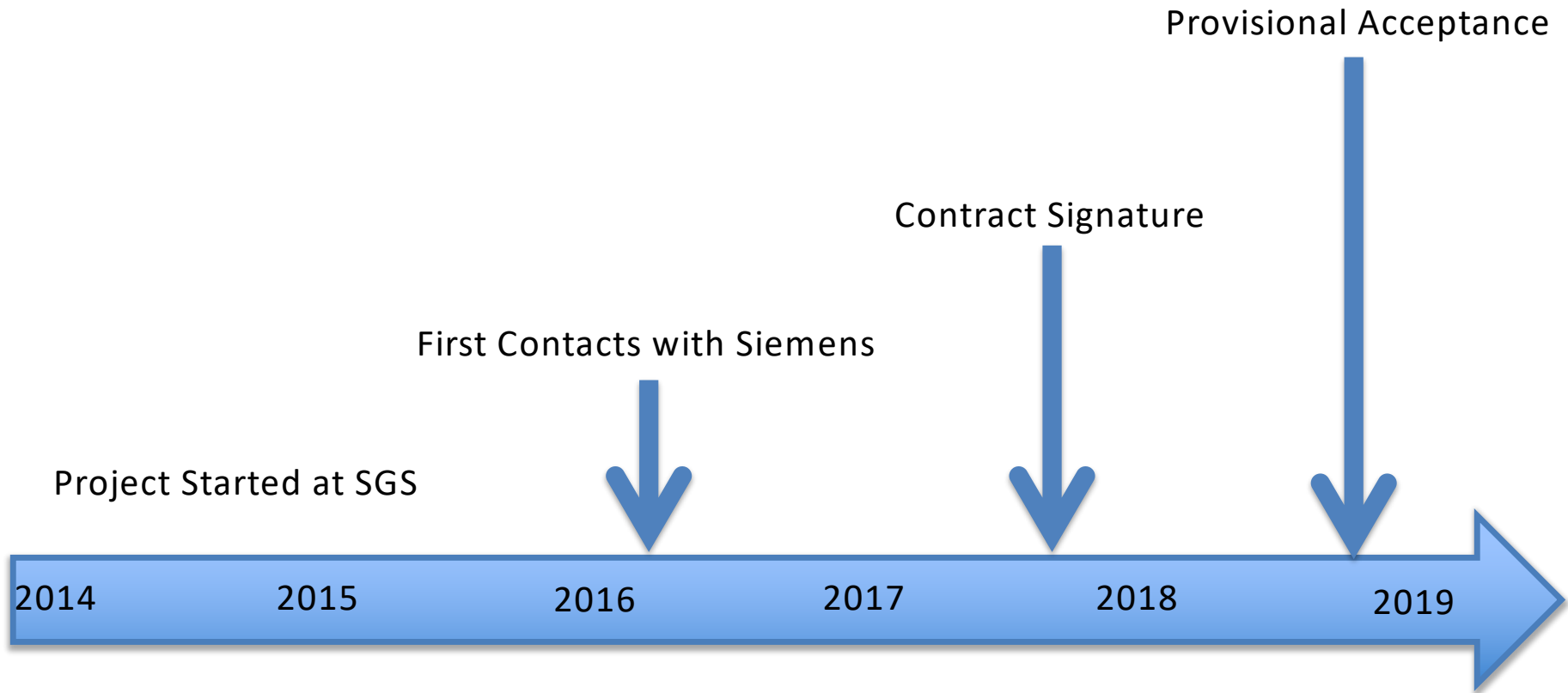
ENVIRONMENT

- Reduce our annual CO₂ emissions (per FTE) by 20%*
- Reduce our annual CO₂ emissions (by revenue) by 20%*

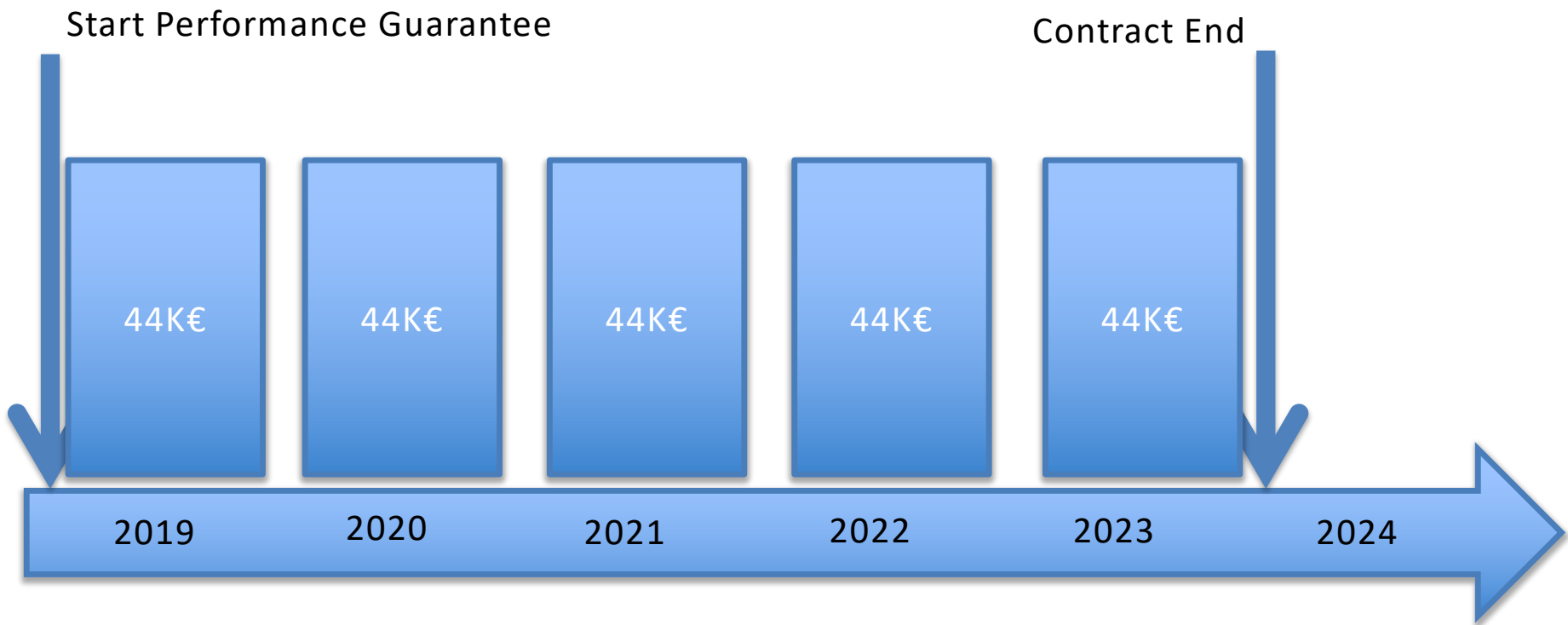
The Original Idea



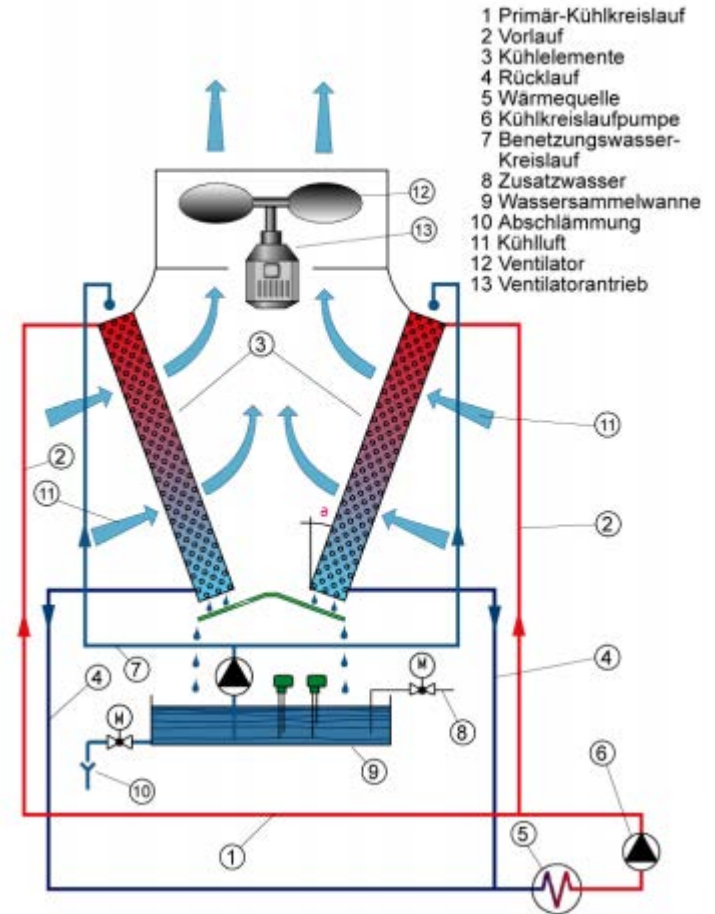
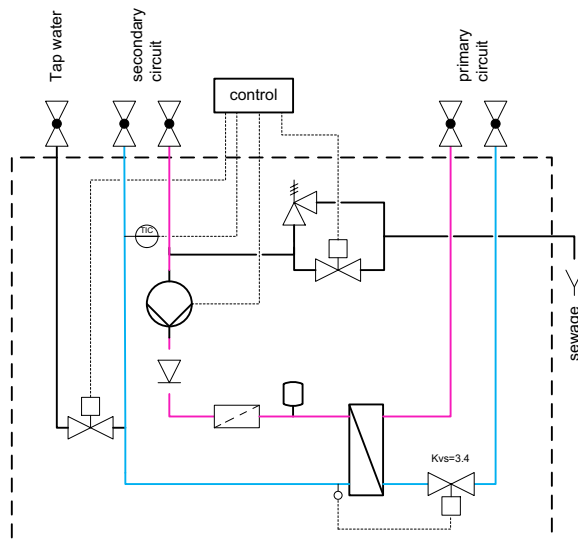
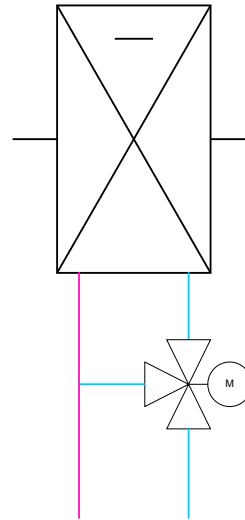
Project Timeline



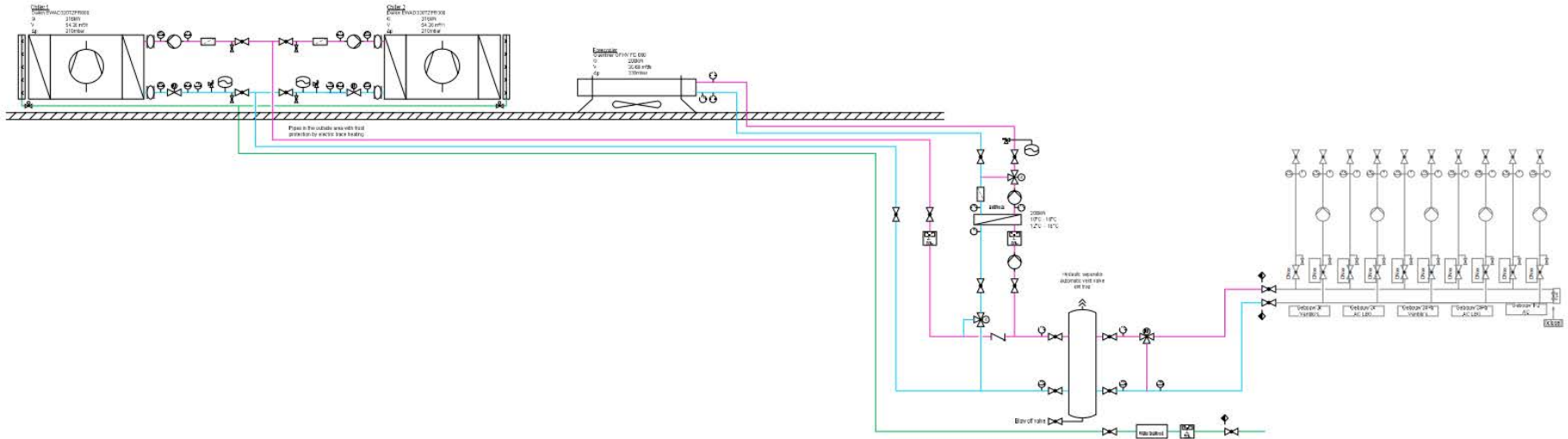
Contract Timeline



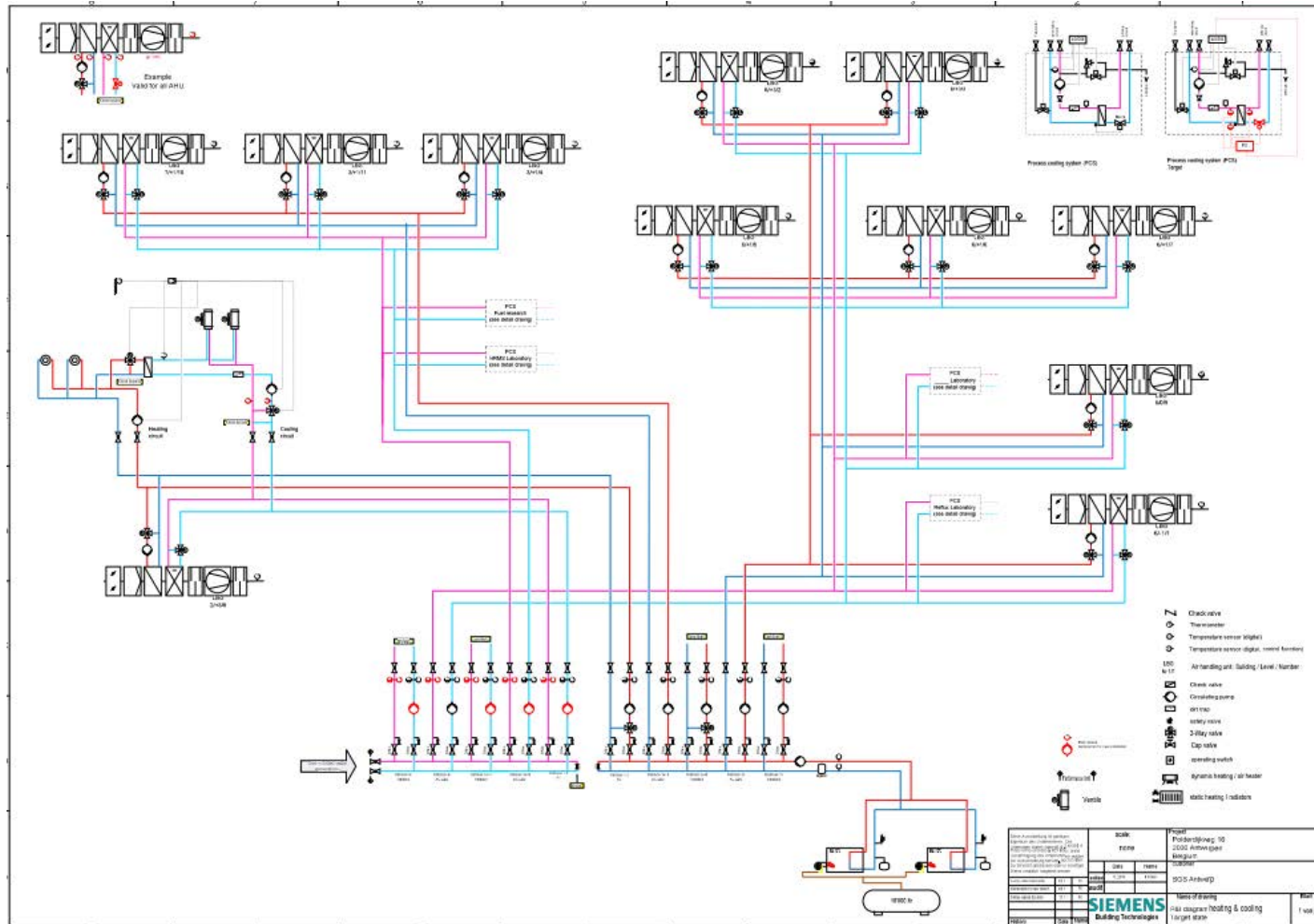
The final Scope



Production Chilled Water

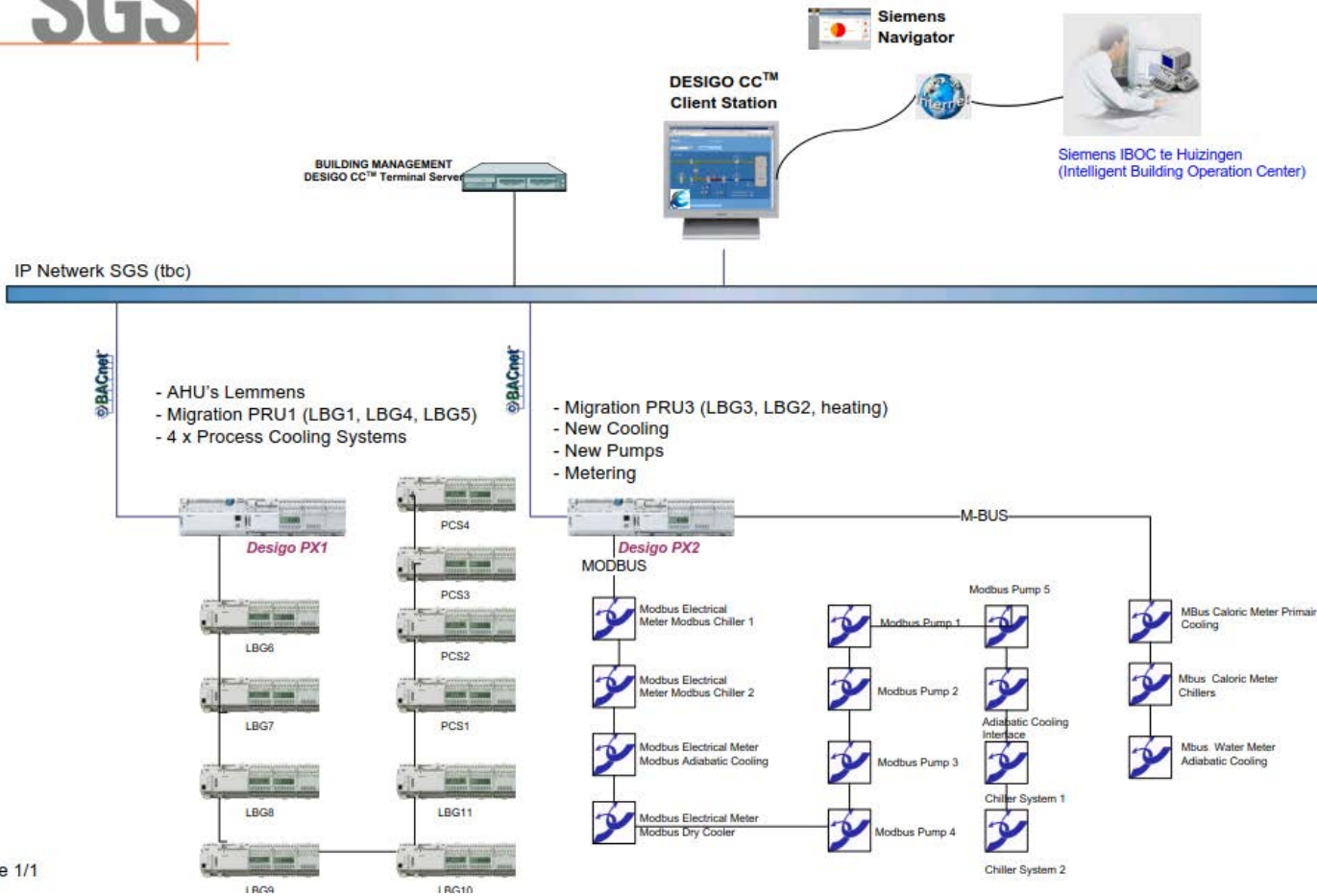


Distribution and consumers



Building Automation and EMS

SGS



Key Success Factors

- Professional attitude and perception as trusted advisor in the EPC domain
- Open and transparent communication
- Customer benefits offered by the EPC approach as such





Your Contact



Stéphane Lados

Building Performance &
Sustainability Manager
Siemens Belgium

Mobile: +32 477 306 707

E-Mail:

stephane.lados@siemens.com